

# UVB

## UNDERGROUND UTILITY VEHICLES



# LUBE AND FUEL VEHICLE MV-U40D-LF



## VEHICLE APPLICATION

The Lube and Fuel Carrier carries various fuel and oil combinations depending on client specification. All pumps are pneumatically driven. The vehicle can also be supplied with an 8 Nozzle Fire Suppression system. Both the Lube Tank and Equipment Cage are mounted to the Ladder Frame Chassis via Rubber Isolating mountings to eliminate any stress cracking and premature failure of these components. Dispensing handles are supplied for each lube product.

# LUBE AND FUEL VEHICLE MV-U40D-LF

## **TECHNICAL DATA**

### **ENGINE**

Air cooled Deutz F4L912W  
Catalytic Purifier and Fume  
Diluter

### **TRANSMISSION**

Dana Clark Power shift  
3 speed forward and reverse  
Constant 4 Wheel Drive

### **AXLES**

Rigid, Planetary Hub Reduction

### **BRAKES**

Wet Disc Hydraulic Brakes  
Spring applied fail-safe park brake  
On all four wheels  
Tyre Size - 8.25 x 15

### **STEERING**

Frame Articulation +/- 34°  
Orbital Valve and Steering Wheel  
Frame Oscillation +/- 10°

### **HYDRAULICS**

175 bar, 65 lit / min

### **ELECTRICAL SYSTEM**

24V Negative Earth  
35A Alternator  
Lights Halogen 50W 4 Forward  
2 Rear with red brake lights

### **PERFORMANCE**

1st gear max 5km/hr  
2nd gear 12km/hr  
3rd gear 28km/hr

### **WEIGHT**

Operating - 3960 kg  
Maximum Payload- 3000 kg

### **DIMENSIONS**

Length - 6500 mm  
Width - 1750 mm  
Height - 1400 mm  
Wheel Base - 2715 mm  
Wheel Track - 1510 mm  
Ground Clearance - 260 mm

### **TURNING RADIUS**

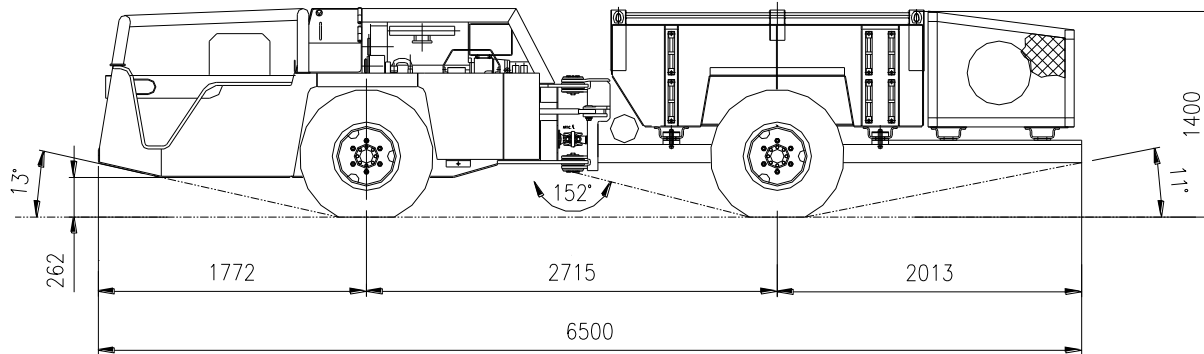
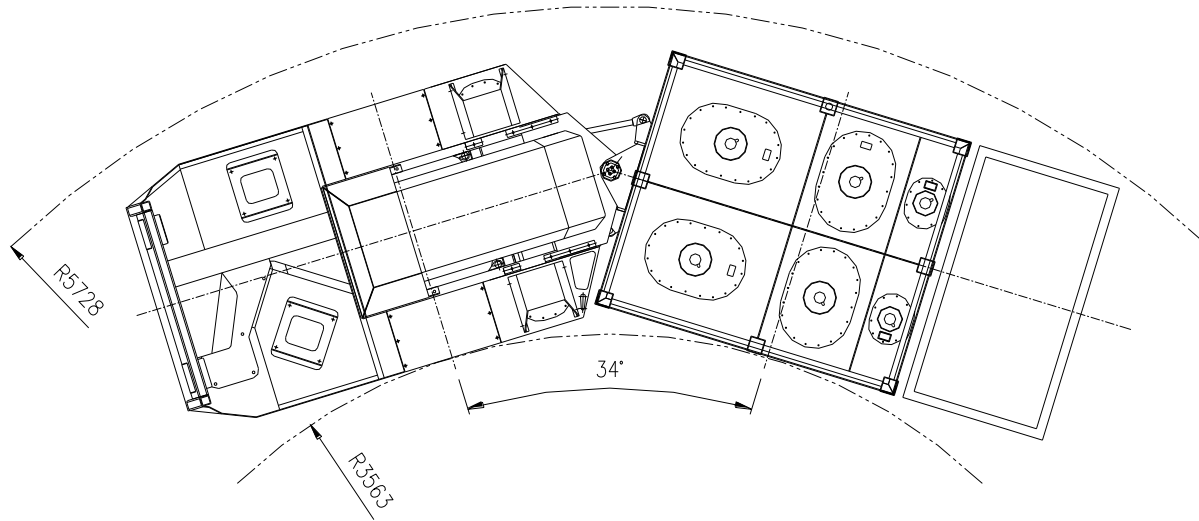
Outer - 5728 mm  
Inner - 3563 mm

### **TANK VOLUMES**

Diesel fuel 1000 litres  
Hydraulic oil 500 litres  
Transmission oil 150 litres  
Engine Oil 150 litres  
Gear Oil 150 litres  
Grease 15 Kgs



# LUBE AND FUEL VEHICLE MV-U40D-LF



MODEL MV-U30D-LF